

KENT'S

COLOR CODED CARTONS

... Reduce Waste Accumulation ...
make installation easier-faster

It's as simple as ONE - TWO - THREE!



1. These cartons contain:
Uprights, shoes, shoe caps, end caps.



2. These cartons contain:
Tie bars, kickplates, end platform bases, see-through base supports.



3. These cartons contain:
Base shelves, end platform tops.



4. These cartons contain:
Panels, top caps, upright caps.

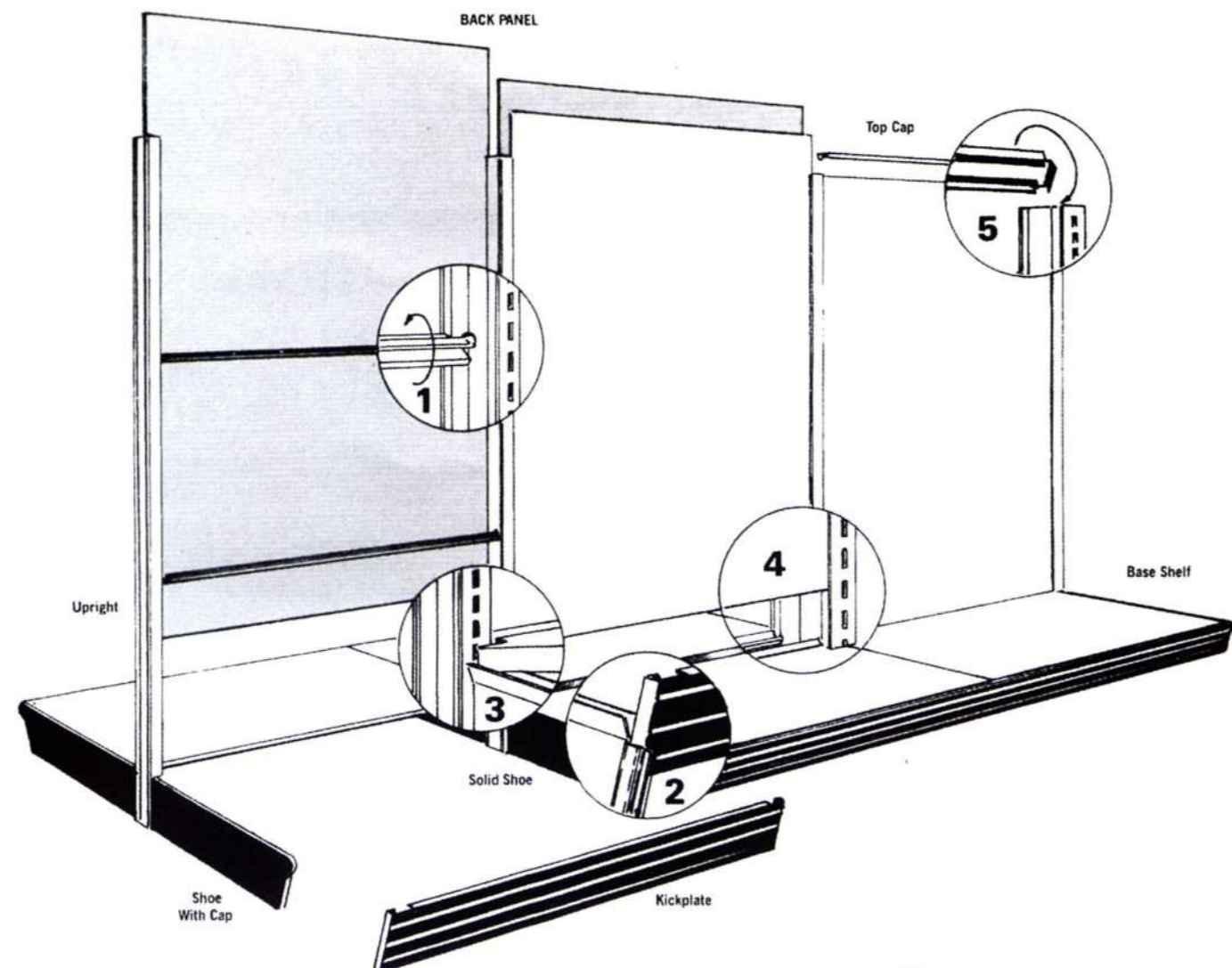


5. These cartons contain:
Shelves, magazine racks, continuous dump baskets, dividers, mirror assemblies, end frames, canopies, rods, brackets.

All Kent Cartons are banded with plastic strapping...light, strong... holds tightly...does not scratch floors. Flexible for easy disposal.

Zips apart for removal. Simply flip tape over at weld and pull up on exposed loose end. No knives, snips, or shears required.

FAST AND EASY TO ASSEMBLE-WITHOUT TOOLS



ASSEMBLY STEPS

1. Insert Tie Bar in slot of two adjacent uprights.
2. Snap Kickplate into slots at front of shoes.
3. Place Base Shelf in top groove of shoes, forcing shelf to rear against upright.
4. Insert Backpanels into upright grooves.
5. Attach Top Cap and End Cover if an end section.
6. Continue until all sections are assembled. Level each section; install upper shelves as desired.

Kent's shipments are controlled by the latest RF bar code inventory system.



Installation Suggestions

Preliminary

Snap chalk line on floor at desired location of kickplates (EKP) or open base frames. Base shelves will overhang chalk line by 3" if standard shoes are specified or 2 1/4" when low base shoes are supplied.

Layout kickplates along chalk line in sequence of required 3' and 4' sections. Place upright/shoe assembly at ends and joints of kickplates along chalk line. Spot one Tie Bar (two if uprights are greater than 78" tall) in front of each kickplate in matching lengths. Position appropriate quantity of backs and base shelves at the end of each gondola or wall section.

Installation

1. Stand the first section by installing the Tie Bar and Kickplate(s) between the end and second section uprights. Add one backpanel to stabilize the section. NOTE: Upright leveling bolts should be fully seated before starting installation.

2. Extend shoe leveling bolts approximately 3/4" to bring uprights into plumb position.

3. Repeat steps 1 and 2 for other sections in each run. Other backs and base shelves will be added later after runs are leveled.

4. Insert wooden wedges into corresponding slots of the two end uprights. Pull a string taut across the tops of the wedges and tie string securely.

5. Using the string as a guide, raise or lower the upright levelers until all uprights are in the same horizontal plane. You may need to raise the end uprights if a floor hump exists within the shelving run. If so, level all intermediate uprights again after moving end uprights.

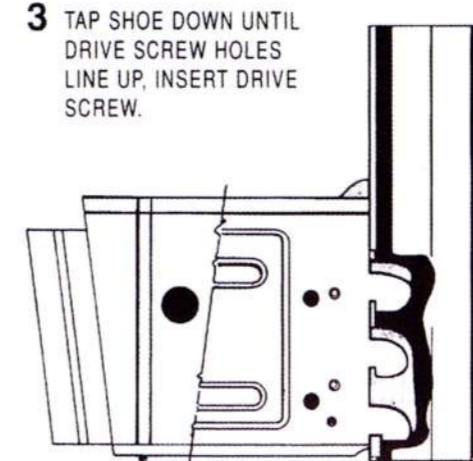
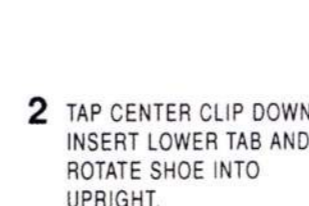
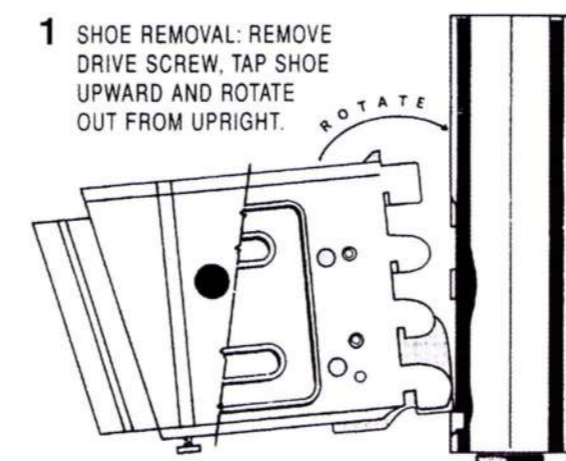
6. Hold a carpenter's level against each end upright and adjust the shoe levelers up or down until the upright is plumb. For a gondola, turn the first shoe leveler one full turn beyond plumb and then raise the opposite shoe leveler until the upright is plumb. This will raise the upright leveler approximately 1/8" off the floor. Repeat this step for all intermediate uprights.

7. Place base shelves into shoes and backs into upright board grooves. Snap Shoe Caps in place and add End Covers to uprights. Insert Top Caps and add shelves as required.

Additional Information

1. Alternating the placement of base shelves of a gondola can improve fixture alignment and installation quality.

2. Shoes are assembled to uprights at the factory on most all orders. Shoes may also be changed in the field as shown below. When wall sections are converted to gondolas or depth of bases are changed, the existing drive screws are required. Drive screws are shipped with loose shoes and must be inserted for complete installation.



PRODUCT INFORMATION

Kent manufactures a variety of shelves and fixtures designed for various merchandising requirements. Many of these products and components are interchangeable. Application of fixtures should be verified when merchandising sets are changed or modified from the original set. The following general suggestions are given for many types of merchandise.

Trimline shelves feature a thinner bracket profile required in discount, drug, softlines, and specialty stores. Using the standard 2.5" upright and low 4" base are the choice when loading is not excessive and a more light and compact appearance is the fixture criteria. Even with these constraints, heavier loads may be satisfied by interchangeable components, reinforced 3.0" uprights and Standard Duty upper shelves. Standard Duty shelves were developed for heavy grocery merchandising and are also used for hardware, liquor, D.I.Y. home centers and other areas of heavy merchandise. Kent recommends 3.0" uprights, KSM or KHM shelves, and 3' modules when heavier than normal merchandise sets are anticipated.



INVENTORY BAR CODING



Kent uses bar coded product identification system for all products. This system allows us to keep track of inventory, quick shipments and fast response to your product questions or requirements.

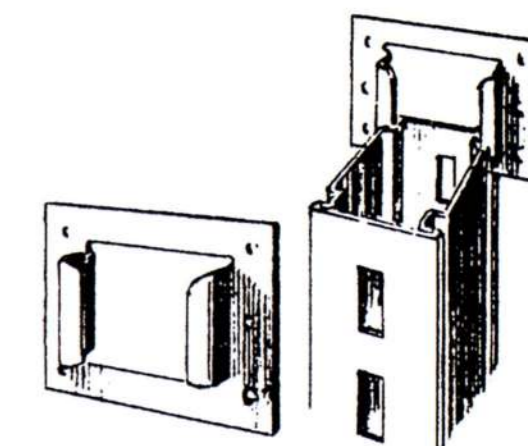
INSIDE CORNER UNITS

When wall shelving is to be joined by a corner unit or abut a box corner, the corner fixture and adjacent sections must be installed first. Refer to the Corner Installation page of the catalog for detailed instructions.

IMPORTANT

Wall shelving should be firmly anchored. This is an important factor particularly when sections are to be heavily merchandised and when sections are 72" or more in height. Kent manufactures a unique bracket that slides freely in the upright panel grooves which allows an infinite number of locations for attachment. Double flanges hold the upright securely in place and six holes are provided for most types of fasteners. Two brackets per upright are recommended.

Adequate consideration must be given to the condition and type of wall to which shelving will be anchored. All types of fasteners are not suitable for anchoring shelving. Common nails, plastic or fiber anchors, concrete nails, and toggle bolts that are less than 1/4" in diameter should NOT be used. A 5/16" lag shield should be used for most masonry walls, a 5/16" lag screw for wood frame walls, and multiple drywall screws for metal stud walls are the recommended types.



The **KENT** Corporation Birmingham, Alabama 35217 U.S.A.



Designers and manufacturers of self-service equipment sold and serviced around the world. Kent products are protected under United States, English, French and German Patents: U.S. 3,044,634, U.S. 3,098,094, U.S. 4,004,769, U.S. 4,055,253, U.S. 4,294,363, U.S. 4,307,671, U.S. 4,620,489, England 956,091, England 1,507,619, England 1,578,155, France 1,324,692, France 2,341,291, Germany 1,230,180. Other Patents pending.

ASSEMBLY INSTRUCTIONS INSIDE